

料号 705-VS5R00-02

项目 VS5 R 说明书

成品尺寸 80\*80 mm

公差  $\pm 1\text{mm}$

材质 105g 哑粉纸

工艺 骑马订

颜色要求 双色印刷 PANTONE 1235C

其他

设计师 李佳龙 文案 吴水宁

重要: PDF 文件仅供预览, 实际印刷请使用 AI 转曲文档  
(或 Cdr 转曲文档)

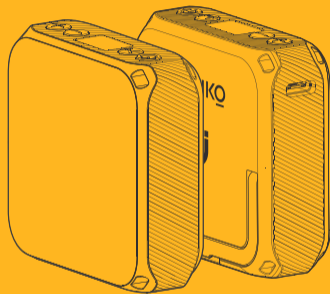
■ 刀模线 > 标示线刀模线  
■ 标示线 > 请勿印刷!

印刷要求:

色相正确、印迹牢固、套印准确、各色套印不露杂色,  
套印误差 $\leq 1\text{mm}$ , 模切走位 $\leq \pm 1\text{mm}$

合格证  
QC PASS

# ZENIKO



## 深圳卓立久科技有限公司

地址：深圳市罗湖区桂园街道新围社区深南东路 5033 号金山大厦 1208  
电话：0755-25106331

## Zeniko Technology Co., LTD

Add.: 1208 Room, Jinshan Building, No.5033, Shennan East Road, Xinwei Community,  
Guiyuan Street, Luohu District, Shenzhen City      Tel: +86-755-25106331

[www.zeniko.com](http://www.zeniko.com)

Made in China | 705-VS5R00-02



## VS5 R

ZENIKO 迷你RGB补光灯  
ZENIKO Mini RGB LED Light

## 前言

感谢您购买 ZENIKO 产品。

ZENIKO 迷你 RGB 补光灯 VS5 R 可装相机顶部, 为视频拍摄提供柔和光线, 拥有宽广色温、HSI 彩光模式、FX 场景光效、内置锂电池、亮度可调等诸多特性。背部采用磁铁设计, 可随时将灯体连接到各式各样铁制品上, 灵活度高; 适用于短视频拍摄、静物拍摄、人像拍摄等拍摄场景。

## 主要特点

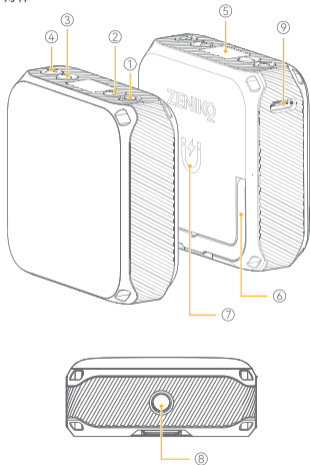
- 支持蓝牙 APP 智能控制, 最远控制达 12m
- 超轻机身, 仅重 82g, 携带方便, 轻松入袋
- 宽广色温可调, 调节范围为 2500K-8500K
- 13 种 FX 场景光效, 为静物拍摄营造唯美氛围
- 配备 HSI 彩光模式, 共有 36000 种色彩可调
- 内置 1800mAh 锂电池, 续航持久, 100% 亮度续航 1.5 小时

## 警告

- ▲ 专业灯具, 禁止儿童使用。当儿童靠近时, 家长或陪护人必须密切监督, 以免儿童因碰撞灯具或私用灯具造成人身伤害。
- ▲ 倘灯珠损坏或因热变形, 应停止使用并及时联系制造商、服务代理商或合格的维修人员更换灯珠, 以免发生意外。
- ▲ 本设备没有防水性能, 请让设备保持干燥, 请勿将本设备浸入水中或其他液体中。设备需安装在干燥且通风处, 避免在雨天、潮湿、多尘或过热环境下使用。
- ▲ 内置锂电池, 请使用专用的充电器进行充电, 并且按正确的操作说明, 在规定的电压、温度范围内使用。
- ▲ 对于不规范操作引起的机器故障不在保修范围内。

## 部件名称

灯体

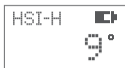


1. 开关按键
2. M 按键(模式按键)
3. - 按键
4. + 按键
5. 显示屏
6. U 型支架
7. 背部磁铁
8. 1/4" 螺丝孔
9. Type-C 接口

## 显示屏



色温模式界面



HSI 彩光模式界面



FX 光效模式界面

## 物料清单



灯体 \*1



USB 转 Type-C  
充电线



说明书 \*1



冷靴底座 \*1



硅胶柔光罩 \*1

**温馨提示：**说明书线图均为示意图，仅供参考。由于产品不断更新与升级，产品实物与线图可能存在差异，请以实物为准。

## 电池

1. 本品采用锂电池，内置在产品里面不可拆卸，使用寿命长。
2. 安全可靠，内置电路有过充保护、过放保护、过流保护、短路保护。
3. 使用标准充电器（另购）充电，充满电需要 2 小时左右。

**提示：**实行边充边放需使用标准适配器，若电池（由于过放或长时间未使用）处于亏电状态下，须先充电片刻解除亏电状态后，方可实行边充边放。边充边用补光灯将会限制电池充电。

## 操作说明

开机 / 关机

通过 Type C 充电线连接直流电源，长按开关按键，实现开机或关机。

## 亮度调节

短按 M 按键切换至亮度调节界面，此时界面出现亮度百分比数值，短按 1 次 + 按键增加 1 个单元值，短按 1 次 - 按键减少 1 个单元值，支持快调，调节范围为 0%-100%。



## CCT 色温模式

短按开关按键切换至 CCT 色温模式，短按 1 次 + 按键增加 100 个单元值，短按 1 次 - 按键减少 100 个单元值，支持快调，调节范围为 2500K-8500K。



## HSI 彩光模式

短按开关按键切换至 HSI 彩光模式，短按 M 按键可切换色相调节 / 饱和度调节 / 亮度调节。

**色相调节：**切换至色相调节时，短按 1 次 + 按键增加 1 个单元值，短按 1 次 - 按键减少 1 个单元值，支持快调，调节范围为 0°-360°。



**饱和度调节：**切换至饱和度调节时，短按 + 按键增加 1 个单元值，短按 - 按键减少 1 个单元值，支持快调，调节范围为 0%-100%。



## FX 光效模式

短按开关按钮切换至 FX 光效模式,短按 +/- 按钮可切换光效类型,支持循环切换,一共有 13 种光效。

序号	显示	场景
1		彩光循环
2		闪光灯
3		派对
4		雷闪电
5		坏灯泡
6		电视机
7		蜡烛
8		火
9		烟花
10		警车
11		消防车
12		救护车
13		SOS

## 蓝牙设置

查看蓝牙 MAC: 长按 M 按钮进入蓝牙设置界面,查看蓝牙 MAC。

蓝牙重置: 进入蓝牙设置界面后,短按开关按钮自动进入蓝牙重置,重置完毕返回模式界面。

APP 下载: 扫描二维码即可下载“ZENIKO”手机 APP(安卓和苹果系统都可以使用)。



## 规格参数

型号	VS5 R
供电	5V $\approx$ 2A
功率	$\approx$ 5W
锂电池	3.7V 1800mAh 6.66Wh
色温	2500-8500K
亮度	0%-100%
CRI	$\geq$ 95
TLCI	$\geq$ 96
照度数据 (灯体亮度 100%, 色温 6500K)	838Lux/78fc(0.98 英尺 /0.3 米) 310Lux/29fc(1.64 英尺 /0.5 米) 77Lux/7fc(3.28 英尺 /1 米)
蓝牙控制距离	最远 15m
续航时间	1.5h
工作环境温度	-10°C~40°C
尺寸	2.5cm*6cm*6cm
净重	82g

本设备包含型号核准代码为 :CMIITID:2020DP13510, 为该产品的无线电发射模块。  
规格和参数如有变更,恕不另行通知。

## FOREWORD

Thank you for purchasing !

ZENIKO Mini RGB LED Light V55 R is mountable on the top of a camera to provide soft lighting for photography. With features such as wide CCT range, HIS modes, FX modes, built-in lithium battery, adjustable brightness and magnetic back design, they are quite suitable for short video recording, still life photography, portrait photography, etc.

## MAIN FEATURES

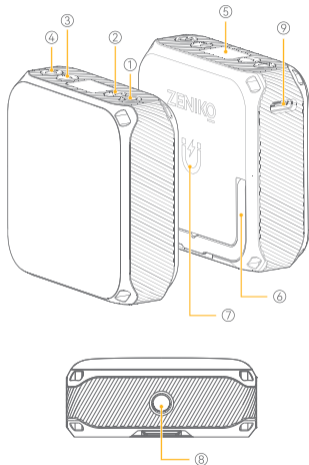
- Support Bluetooth APP control up to a distance of 12m.
- Compact and portable with a weight of merely 82g.
- Wide CCT range adjustable from 2500K to 8500K.
- 13 FX modes create most suitable effects for various scenes.
- Provide HSI mode with 36000 colors.
- Built-in 1800mAh lithium battery provides 1.5h working time in 100% brightness.

## ⚠ WARNING

- ⚠ Keep out of reach of children. Close supervision is necessary when any appliance is used by or near children. Do not leave appliance unattended while in use.
- ⚠ If the light beads are damaged or deformed by heat, stop using and contact the manufacturer, service agent or qualified maintenance in time to replace.
- ⚠ This appliance is not waterproof device. Keep it dry, do not immerse this appliance in water or other liquids. Do not use this appliance in rainy, humid, dusty in overheated environments.
- ⚠ Please use the dedicated charger to charge the built-in lithium battery, and follow the correct operating instructions to use within the specified voltage and temperature range.
- ⚠ Unauthorized service will void the warranty.
- ⚠ Changes made to the specifications or designs may not be reflected in this manual.

## NAME OF PARTS

### LIGHT BODY

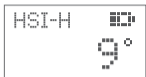


1. Power Switch
2. M Button (Mode Button)
3. - Button
4. + Button
5. Display
6. U-type Bracket
7. Magnetic Back
8. 1/4" Screw Hole
9. Type-C Port

## DISPLAY



CCT Mode



HSI Mode



FX Mode

## WHAT'S INSIDE



Light Body \*1



USB to Type-C  
Charing Cable\*1



Instruction  
Manual\*1



Coldshoe  
Mount\*1



Collapsible  
Diffusion Dome\*1

**Note:** Due to continuous updates and upgrades of the products, there may be differences between the actual products and the pictures. Therefore, the pictures are for reference only, products to prevail in kind.

## BATTERY

1. Built-in lithium battery is not detachable and has long run time.
2. It is reliably safe. The inner circuit is against overcharge, over-discharge, over current, and short circuit.
3. It takes approx. 2h to fully charge the battery by using the standard battery charger (optional).

**Note:** A standard adapter is needed when charging and discharging at the same time. If the battery is in a state of power loss due to over-discharge or long-term unused, it must be charged for a while to remove the power loss state before it can be charged and discharged at the same time.

Charging while using will restrict the charging of the battery.

## OPERATION INSTRUCTION

### Power Switch

Connect the device to DC power supply with Type-C cable, toggle the power switch to turn on or off the device.

### Brightness Adjustment

Short press the M button to brightness adjustment interface, and a percentage number (0%-100%) is displayed on the panel. Short press the + button once to increase the brightness value by 1 unit, while short press the - button once to decrease the brightness value by 1 unit, and fast adjustment is also available.



### CCT Mode

Short press the power switch button to CCT mode, short press the + button once to increase the CCT value by 100 unit, while short press the - button once to decrease the CCT value by 100 unit, with adjustable range from 2500K to 8500K and fast adjustment is also available.



## HSI Mode

Short press the power switch button to HSI mode, short press the M button to switch HUE adjustment/saturation adjustment/brightness adjustment.

**HUE adjustment:** Short press the + button once to increase the HUE value by 1 unit, while short press the - button once to decrease the HUE value by 1 unit, with adjustable range from 0° to 360° and fast adjustment is also available.



**Saturation adjustment:** Short press the + button once to increase the saturation value by 1 unit, while short press the - button once to decrease the saturation value by 1 unit, with adjustable range from 0% to 100% and fast adjustment is also available.



## FX Mode

Short press the power switch button to FX mode, short press the +/- button to switch among the following 13 effects in recycle.

No.	Icon	Scene
1		RGB recycle
2		Flash
3		Party
4		Lightning
5		Broken Bulb
6		TV
7		Candle
8		Fire
9		Firework
10		Police car
11		Firetruck
12		Ambulance
13	SOS	SOS

## BLUETOOTH SETTING

Bluetooth MAC code checking: Long press the M button to enter Bluetooth interface and the Bluetooth MAC code is displayed.

Bluetooth reset: Short press the power switch in Bluetooth interface to reset the Bluetooth, it will return to mode interface automatically after being successfully reset.

APP downloading: Scan the QR code to download "ZENIKO" mobile APP (both Android and iOS systems are available).





## TECHNICAL DATA

Model	V55 R
Power Supply	5V = 2A
Power	≈5W
Lithium Battery	3.7V 1800mAh 6.66Wh
CCT	2500-8500K
Brightness Range	0%-100%
CRI	≥95
TLCI	≥96
Illuminance Data(100% brightness and 6500K CCT)	838Lux/78fc(0.98ft/0.3m)
	310Lux/29fc(1.64ft/0.5m)
	77Lux/7fc(3.28ft/1m)
Bluetooth Control Distance	Max.15m
Battery Life	1.5h
Working Environment Temperature	-10°C~40°C
Dimension	2.5cm*6cm*6cm
Net Weight	82g

Specifications and data may subject to changes without notice.

## FCC STATEMENT

This device complies with part 15 of the FCC Rules. Operation is subject to the following two conditions:

- (1) This device may not cause harmful interference, and
- (2) this device must accept any interference received, including interference that may cause undesired operation.

Any Changes or modifications not expressly approved by the party responsible for compliance could void the user's authority to operate the equipment.

**Note:** This equipment has been tested and found to comply with the limits for a Class B digital device, pursuant to part 15 of the FCC Rules. These limits are designed to provide reasonable protection against harmful interference in a residential installation. This equipment generates uses and can radiate radio frequency energy and , if not installed and used in accordance with the instructions, may cause harmful interference to radio communications. However, there is no guarantee that interference will not occur in a particular installation. If this equipment does cause harmful interference to radio or television reception, which can be determined by turning the equipment off and on, the user is encouraged to try to correct the interference by one or more of the following measures:

- Reorient or relocate the receiving antenna.
- Increase the separation between the equipment and receiver.
- Connect the equipment into an outlet on a circuit different from that to which the receiver is connected.
- Consult the dealer or an experienced radio/TV technician for help.

The device has been evaluated to meet general RF exposure requirement.  
The device can be used in portable exposure condition without restriction.

## ▲ WARNING

Operating frequency: 2402MHz-2480MHz Maximum EIRP Power: 4.04dBm

## DECLARATION OF CONFORMITY

Zeniko Technology Co., LTD hereby declares that this equipment are in compliance with the essential requirements and other relevant provisions of Directive 2014/53/EU. In accordance with Article 10(2) and Article 10(10), this product is allowed to be used in all EU member states. For more information of DoC, Please click this web link:

<http://www.zeniko.com/EU/VS5R.PDF>

The device complies with RF specifications when the device used at 0mm from your body.

## 产品保修

尊敬的用户, 本保修卡是申请保修服务的重要凭证, 请您配合销售商填写并妥善保管, 谢谢!

产品信息	型号	产品条码
用户信息	姓名	联系电话
	通信地址	
销售商信息	名称	
	联系电话	
	通信地址	
	销售日期	
备注		

注: 此表应由销售商盖章确认。

## 适用产品

本文件适用于相关《产品保修信息》(见后面说明)所列产品,其他非属此范围的产品或部件(如促销品、赠品及其他出厂后附加的部件等)不在此保修承诺内。

## 保修期

产品及部件的相应保修期按相关的《产品保修信息》执行。保修期自产品首次购买日起算,购买日以购买产品时保修卡登记日期为准。

## 如何获得保修服务

您可直接与产品销售商或授权服务机构联系。申请保修时,您应提供有效的保修卡作为保修凭证,方可获得保修。如您不能提供有效的保修卡,则在我们确认产品或部件属于保修范围的情况下,也可以为您提供保修,但这不作为我们的义务。

## 不适用保修的情况

如产品存在下列情况,本文件项下的保证和服务将不适用 ①产品或部件超过相应保修期;②错误或不当使用、维护或保管导致的故障或损坏,如:不当搬运;非按产品合理预期用途使用;不当插拔外接设备;跌落或外力挤压;接触或暴露于不当温度、溶剂、酸碱、水浸或潮湿环境;③由非卓立久授权机构或人员安装、修理、更改、添加或拆卸造成的故障或损坏;④产品或部件原有识别信息被修改变更或删除;⑤无有效保修卡;⑥使用非合法授权、非标准或非公开发行的软件造成的故障或损坏;⑦因不可抗力或意外事件造成的故障或损坏;⑧其他非因产品本身质量问题导致的故障或损坏。遇上述情况,您应向相关责任方寻求解决,卓立久对此不承担任何责任。因非在保修期或保修范围内的部件、附件或软件导致产品不能正常使用的,不是保修范围内的故障。产品使用过程中正常的脱色,磨损和消耗,不是保修范围内的故障。

## 产品保修和服务支持信息

产品的保修期和服务类型按以下《产品保修信息》执行:

产品类别	选件名称	保修期 (月)	保修服务类型
部件	电路板	12	客户送修
	电池	3	客户送修
	充电器等带电性能的部件。	12	客户送修
其他	如闪光灯、造型灯泡、外壳、保护罩、锁紧装置、包装等。	无	无保修

## WARRANTY

Dear customers, as this warranty card is an important certificate to apply for our maintenance service, please fill in the following form in coordination with the seller and safe-keep it. Thank you!

Product Information	Model	Product Code Number
Customer Information	Name	Contact Number
	Address	
Seller Information	Name	
	Contact Number	
	Address	
	Date of Sale	
Note:		

**Note:** This form shall be sealed by the seller.

### Applicable Products

The document applies to the products listed on the Product Maintenance Information (see below for further information). Other products or accessories (e.g. promotional items, giveaways and additional accessories attached, etc.) are not included in this warranty scope.

### Warranty Period

The warranty period of products and accessories is implemented according to the relevant Product Maintenance Information. The warranty period is calculated from the day(purchase date) when the product is bought for the first time, And the purchase date is considered as the date registered on the warranty card when buying the product.

### How to Get the Maintenance Service

If maintenance service is needed, you can directly contact the product distributor or authorized service institutions. You can also contact the Godox after-sale service call and we will offer you service. When applying for maintenance service, you should provide valid warranty card. If you cannot provide valid warranty card, we may offer you maintenance service once confirmed that the product or accessory is involved in the maintenance scope, but that shall not be considered as our obligation.

### Inapplicable Cases

The guarantee and service offered by this document are not applicable in the following cases:

- ①. The product or accessory has expired its warranty period;
- ②. Breakage or damage caused by inappropriate usage, maintenance or preservation, such as improper packing, improper usage, improper plugging in/out external equipment, falling off or squeezing by external force, contacting or exposing to the improper temperature, solvent, acid, base, flooding and damp environments, etc;
- ③. Breakage or damage caused by non-authorized institution or staff in the process of installation, maintenance, alternation, addition and detachment;
- ④. The original identifying information of product or accessory is modified, alternated, or removed;
- ⑤. No valid warranty card;
- ⑥. Breakage or damage caused by using illegally authorized, nonstandard or non-public released software;
- ⑦. Breakage or damage caused by force majeure or accident;
- ⑧. Breakage or damage that could not be attributed to the product itself. Once met these situations above, you should seek solutions from the related responsible parties and Godox assumes no responsibility. The damage caused by parts, accessories and software that beyond the warranty period or scope is not included in our maintenance scope. The normal discoloration, abrasion and consumption are not the breakage within the maintenance scope.

## MAINTENANCE AND SERVICE SUPPORT INFORMATION

The warranty period and service types of products are implemented according to the following Product Maintenance Information:

Product Type	Name	Maintenance Period(month)	Warranty Service Type
Parts	Circuit Board	12	Customer sends the product to designated site
	Battery	3	Customer sends the product to designated site
	Electrical parts e.g.battery charger, etc.	12	Customer sends the product to designated site
Other Items	Flash tube, modeling lamp, lamp body, lamp cover, locking device, package, etc.	NO	Without warranty